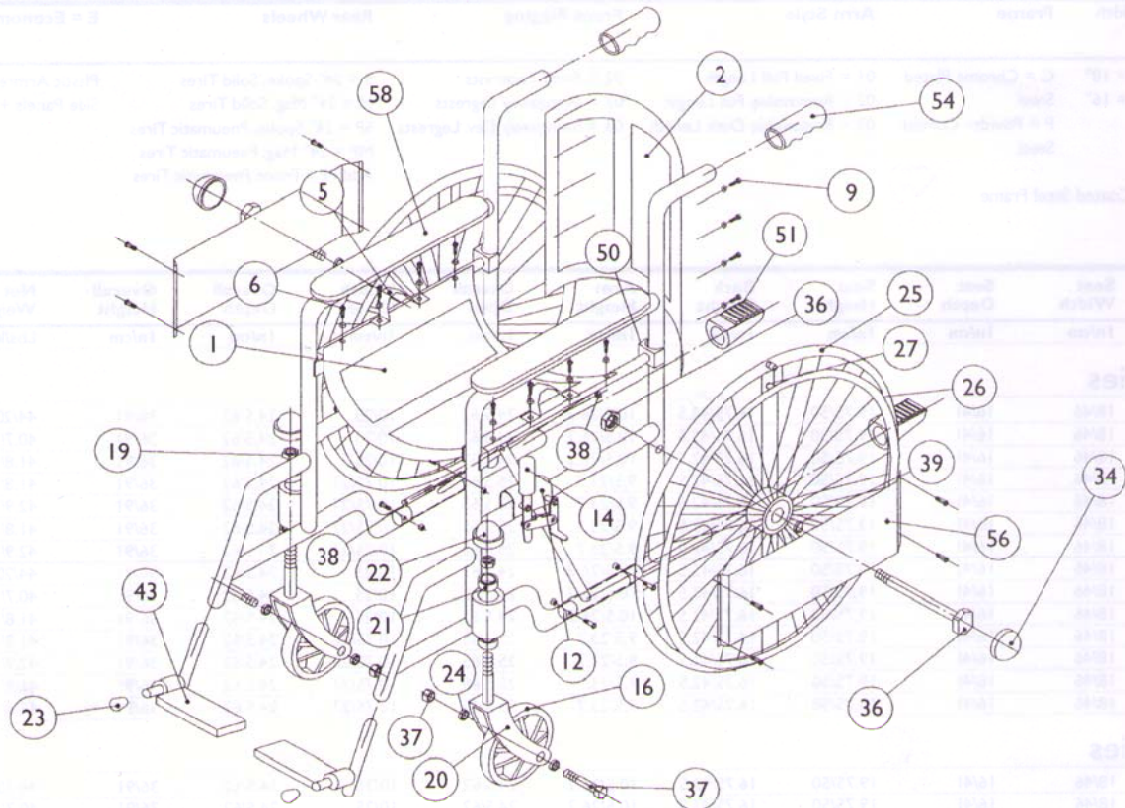
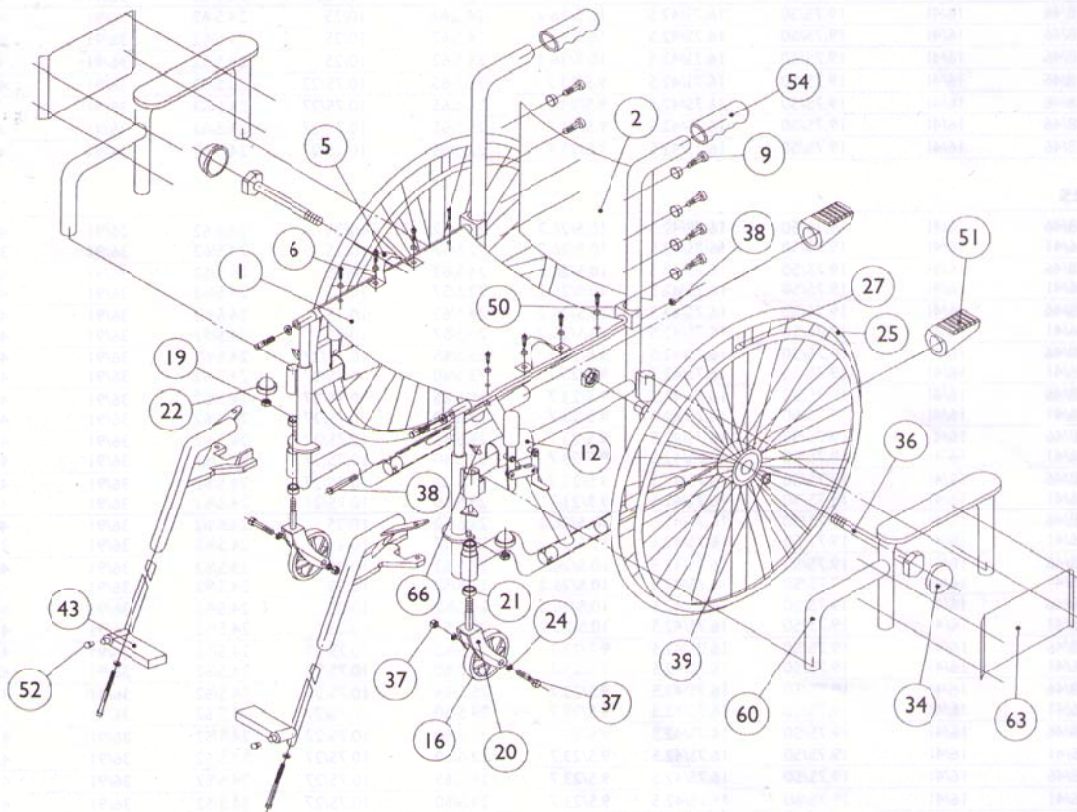
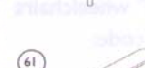
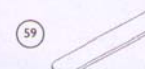
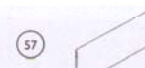
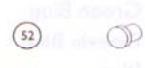
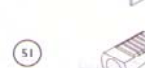
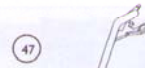
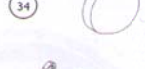
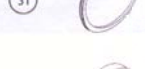
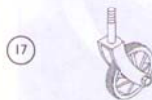


## Fixed Arms, Fixed Legrest Models



## Detachable Arms, Swingaway and Elevating Legrest Models





**1. Embossed Upholstery**  
Seat only, includes hardware (Indicate brand name, color and size of wheelchair to be fitted)

**2. Embossed Upholstery**  
Back only, includes hardware (Indicate brand name, color and size of wheelchair to be fitted)

**3./4. Metal Upholstery Strip**  
003 for seat  
004 for back

**5. Closing Straps**  
For seat upholstery, includes hardware

**6. Screws**  
For closing straps

**9. Screws**  
For back upholstery

**12. Wheel Lock**  
For standard wheelchair  
For use with 7/8 inch steel tube (Indicate left or right side)

**14. Rubber Tip**  
For wheel lock

**15.8 inch Caster Assembly**  
With fork (Hard solid rubber tire)

**16.8 inch Caster Wheel**  
Bearings included (Hard rubber tire)

**17.8 inch Caster Assembly**  
With fork - Full pneumatic

**18.8 inch Caster Wheel**  
Full pneumatic, bearings included

**19. Nylon Nut for Fork**

**20. Fork for 8 inch Caster**  
Chrome plated steel

**21. Sealed Bearing**  
For 8 inch caster stem

**22. Dust Cap for 8 inch Caster**  
Stem housing, plastic

**24. Sealed Bearing**  
For 8 inch caster

**25. Spoke Wheel Assembly**  
24 x 1 inch - complete, includes

handrim, 5/8 inch bearings, hard rubber tire

**26. Handrim**  
Stainless 026S, C.P. Steel 026C

**27. Handrim Spacer**  
For 24 inch wheel

**28. Handrim Spacer Bolt**  
For 24 inch wheel

**29. Snap-On Tire**  
For 24 inch wheel

**30. 24 x 1 3/8 Spoke Wheel Assembly**  
Complete, includes handrim, bearings, pneumatic tire

**31. Treaded Tire**  
For full pneumatic wheel  
24 x 1 3/8 inch wheel

**34. Hub Cap for 24 inch Wheel**  
Plastic 034P  
Chromed plastic 034C

**35. 24 inch Wheel Axle**  
For detachable arm wheelchair

**37. Axle and Nut Set**  
For 8 inch caster

**38. Bolt and Nut**  
For cross brace

**39. Sealed Bearings**  
For 24 inch wheel

**40. Hinge Plate**  
For elevating legrest

**41. Three Position Hinge**  
Includes pin and hardware

**43. Footplate**  
Aluminum casting

**43E. Footplate**  
Aluminum cast with extension tube

**43H. Footplate**  
Aluminum cast with extension tube and hell loop

**45. Calf Support Pad**  
For legrest, padded and upholstered

**46. Calf Support Pad**  
For legrest, plastic

**47. Footrest**  
Swingaway, detachable

**48. Elevating Legrest**  
Complete assembly with padded and upholstered calf pad

**49. Elevating Legrest**  
Complete assembly, with calf pad

**50. Seat Guide**  
Standard Wheelchair

**51. Attendant Foot-Lift**  
Plug for 7/8 inch tubing

**52. Plug for 7/8 inch Tubing**  
Plastic

**54. Hand Grip**

**55. Arm-Sub Assembly**  
For detachable arm wheelchair, full length

**56. Side Panel**  
For standard wheelchair, stainless steel

**57. Side Panel**  
For detachable arm wheelchair (full length), stainless steel

**58. Armrest**  
Full length, padded includes attaching screws

**59. Armrest**  
Full length, solid plastic includes attaching screws

**60. Arm Sub-Assembly**  
For detachable arm wheelchair, desk length

**61. Armrest, Desk Length**  
For Detachable arm wheelchair, includes attaching screws

**62. Armrest, Desk Length**  
Padded, includes attaching screws

**63. Side Panel**  
For Detachable arm wheelchair (desk length), stainless steel

**64. Heel Loops**  
For footplate, includes hardware

**65. Button Lock**  
For detachable arms, includes spring and button